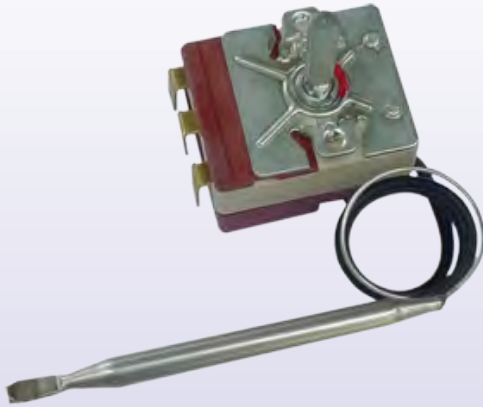


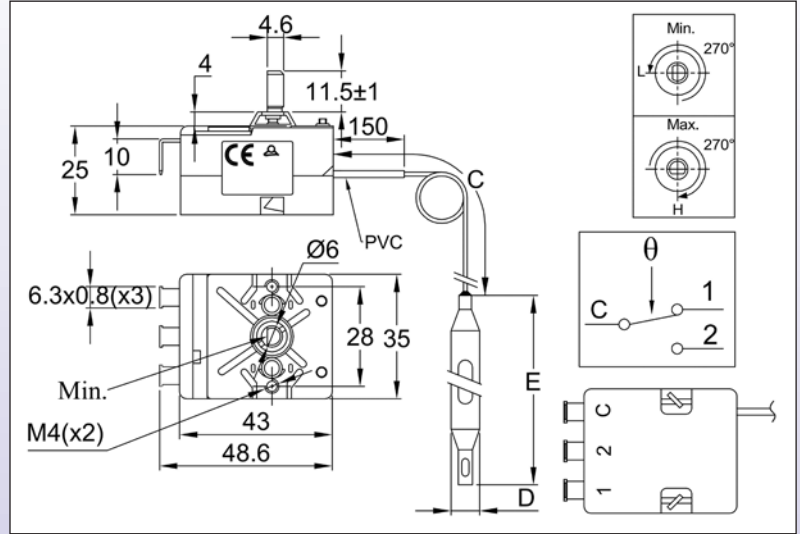
# Type 8G Single pole control thermostat (Appliances type)

## DIMENSIONS



### TECHNICAL FEATURES

**Housing dimensions:** 43 x 35 x 29 mm (without terminals)  
**Bulb and capillary:** stainless steel, 150 mm long pvc sleeve on capillary. Capillary minimum bending radius 5 mm.  
**Temperature sensing element:** liquid filled bulb and capillary.  
**Terminals:** 6.35 x 0.8 quick connect terminals. M4 screws also available on request.  
**Adjustment:** Dia. 6 mm shaft with 4.6 mm flat, length 11.5 mm. Other lengths, screw driver adjustment or fixed setting available on request.  
**Mounting:** Front bracket with 2 x M4 threads, 28 mm distance  
**Rating:** 16A(4) 250/VAC  
**Contacts:** SPDT (snap action contact)



### Main references

Reference	Temperature range °C/°F	Capillary length (mm)	Bulb diameter (mm)	Bulb length (mm)-material	Differential °C/°F	Max temperature on bulb (°C)
8GB-35035AO60001	-35+35°C (-30+95°F)	1500	6	120±5-CU	4±2°C (7±3.6 °F)	60°C (140°F)
8GB-35035AA60001	-35+35°C (-30+95°F)	250	6	120±5-CU	4±2°C (7±3.6 °F)	60°C (140°F)
8GB-10040AO60001	-10+40°C (15-105°F)	1500	6	107±5-CU	3±2°C (5.5±3.6 °F)	70°C (158°F)
8GB-10040AA60001	-10+40°C (15-105°F)	250	6	107±5-CU	3±2°C (5.5±3.6 °F)	70°C (158°F)
8GB004040AA80001	4-40°C (40-105°F)	250	8	85±5-CU	3±2°C (5.5±3.6 °F)	70°C (158°F)
8GB004040AO60001	4-40°C (40-105°F)	1500	6	120±5-CU	3±2°C (5.5±3.6 °F)	70°C (158°F)
8GB004040AA60001	4-40°C (40-105°F)	250	6	120±5-CU	3±2°C (5.5±3.6 °F)	70°C (158°F)
8GB030090AO60001	30-90°C (85-195°F)	1500	6	98±5-SS	4±3°C (7±5.5 °F)	120°C (250°F)
8GB030110AO60001	30-110°C (85-230°F)	1500	6	86±5-SS	5±3°C (9±5.5 °F)	140°C (284°F)
8GB050200AO60001	50-200°C (120-390°F)	1500	6	65±5-SS	5~13°C (9~24 °F)	230°C (446°F)
8GB050300AO30001	50-300°C (120-570°F)	1500	3	145±5-SS	5~15°C (9~27 °F)	330°C (626°F)

Other temperature ranges available on request.

### °C Printed knobs

-35+35°C	-10+40°C	4-40°C	30-90°C	30-110°C	50-200°C	50-300°C
66MZ006-350352FW	66MZ006-100402FW	66MZ0060040402FW	66MZ0060300901FW	66MZ0060301101FW	66MZ0060502001FW	66MZ0060503001FW

### °F Printed knobs

-30+95°F	15-105°F	40-105°F	85-195°F	85-230°F	120-390°F	120-570°F
66MZ006-350352FX	66MZ006-100402FX	66MZ0060040402FX	66MZ0060300901FX	66MZ0060301101FX	66MZ0060502001FX	66MZ0060503001FX

### Soft grip knob and bezel dimensions

Dimensions	References	Material
	66MZ.....	PC + Santoprene
	66EN1	Black ABS
	66EN3	Chrome plated ABS
	66EN2	Stainless steel

Many other knobs are available, see the full knob list at the end of this catalogue.

Because of permanent improvement of our products, drawings, descriptions, features used on these data sheets are for guidance only and can be modified without prior advice

Unless exceptionally specified by this logo, products and components in this catalogue are made by Ultimheat alliance members.

